

SVEN[®]
YOU WANT – WE CAN

5.1 Active Home Theater
Speaker System

OPERATION MANUAL



HT-200

www.sven.fi

Congratulations on your purchase of the Sven speaker system!

COPYRIGHT

© 2014. SVEN PTE. LTD. Version 1.0 (V 1.0).

This Manual and information contained in it are copyrighted. All rights reserved.

TRADEMARKS

All trademarks are the property of their legal holders.

NOTICE OF RESPONSIBILITY RESTRICTION

Despite the exerted efforts to make this Manual more exact, some discrepancies may occur. The information in this Manual is given on «as is» terms. The author and the publisher do not bear any liability to a person or an organization for loss or damage which has arisen from the information contained in this Manual.

CONTENTS

1. BUYER RECOMMENDATIONS	1
2. PACKAGE CONTENTS.....	2
3. SAFETY PRECAUTIONS	2
4. TECHNICAL DESCRIPTION	2
5. PREPARATION AND OPERATION	5
6. TROUBLESHOOTING.....	11
7. TECHNICAL SPECIFICATIONS	12

1. BUYER RECOMMENDATIONS

- Unpack the device carefully. Make sure there are no accessories left in the box. Check up the device for damage; if the product was damaged during transportation, address the firm which carried out the delivery; if the product functions incorrectly, address the dealer at once.
- Check up the package contents and availability of the warranty card. Make sure the warranty card has a shop stamp, a legible signature or the seller's stamp and purchase date, and the number of the wall mount corresponds to that in the warranty card. Remember: in case of warranty card loss or discrepancy of numbers you forfeit the right for warranty repairs.
- Do not switch on the speaker system immediately after you bring it into a room from environment with negative temperature! After unpacking, the speaker system should be kept in conditions of room temperature for at least 4 hours.
- Before installing and using the speaker system, read this Manual carefully and keep it for future reference.

Technical support is on www.sven.fi

2. PACKAGE CONTENTS

- Subwoofer – 1 pc
- Satellites – 5 pcs
- Remote control (RC) – 1 pc
- RC batteries (AAA type) – 2 pcs
- FM antenna – 1 pc
- Audio cables – 5 pcs
- 2RCA to mini-jack (Ø 3.5 mm) signal cables – 3 pcs
- Satellite wall-mounting set – 5 pcs
- Operation manual – 1 pc
- Warranty card – 1 pc

3. SAFETY PRECAUTIONS



Caution! High voltage inside! To avoid the risk of electric shock do not open or touch elements inside.

- To avoid electric shock, do not open the HTSS and do not perform repairs by yourself. Service and repairs should be performed only by qualified specialists in an authorized service center. The list of authorized service centers is available on www.sven.fi
- Do not allow the circuit of wires (including the grounded ones) between the speakers, on the power amplifier or the ground, for it causes damage to the power amplifier output stage.
- Do not touch the HTSS power cord plug pins for 2 seconds after unplugging it from the mains.
- Do not put foreign objects inside the holes of the HTSS.
- Protect the HTSS from high humidity, water and dust.
- Protect the HTSS from heating: do not locate it near heating appliances or expose to direct sunlight.
- Do not place sources of open flame on or near the HTSS.
- Do not place the HTSS in poorly ventilated areas. Leave an air gap of 10 cm or more. When operating the HTSS, do not put any devices on it, do not cover it with cloth or other objects preventing it from cooling.
- Do not clean the HTSS with chemicals, use dry soft cloth only.

4. TECHNICAL DESCRIPTION

HT-200 5.1 Home Theater Speaker System (HTSS) is designed for creating a home theater. The multichannel 5.1 amplifier built into the subwoofer enables to connect the HTSS to virtually any audio source.

HTSS special features

- Speaker system is compatible with PCs, DVD/Media-players, mobile devices and other sound sources
- Built-in FM tuner
- Digital LED display
- Possibility to transform stereo signal to 5.1
- Built-in clock
- USB flash port and SD card slot
- Three switchable inputs

Operation Manual

HT-200

- Remote control
- StandBy and Sleep modes
- Wall mountable satellites
- Magnetic shielding
- Wooden (MDF) subwoofer and satellites cabinets

HTSS design

- ① LED display
- ② INPUT: input switch, DVD / AUX / PC / FM / USB / SD mode switch (pressed short)
- ③ VOL-/CH- / ◀◀: previous track (pressed short in the Player mode); previous station* (pressed short in the Tuner mode); volume down (pressed long)
- ④ 2.1/5.1: on/off button of the conversion mode of a stereo signal to 5.1 (pressed short in any mode)
- ⑤ ST.BY / ▶▶: play/pause (pressed short in the Player mode); start/stop auto scan (pressed short in the Tuner mode); Standby mode (pressed long in any mode)
- ⑥ VOL+/CH+ / ▶▶: next track (pressed short in the Player mode); next station* (pressed short in the Tuner mode); volume up (pressed long)
- ⑦ SD/MMC CARD: slot for SD/MMC cards** containing MP3 audio files
- ⑧ USB: slot for a USB flash device** containing MP3 audio files
- ⑨ FM ANT: FM antenna input jack (see Fig. 3)
- ⑩ PC: PC input jacks
- ⑪ AUX: line input jacks
- ⑫ DVD: DVD input jacks
- ⑬ ON/OFF: power switch
- ⑭ AUDIO OUTPUT: satellite output terminals
- ⑮ Power cord

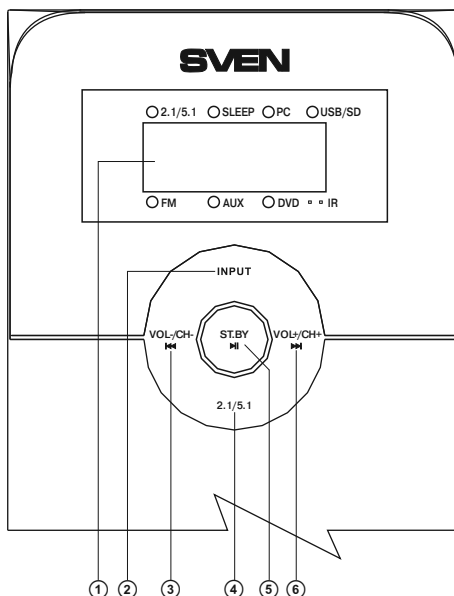


Fig. 1. Subwoofer control panel

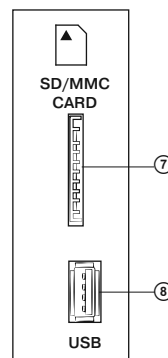


Fig. 2. Subwoofer side panel

5.1 Active Home Theater Speaker System

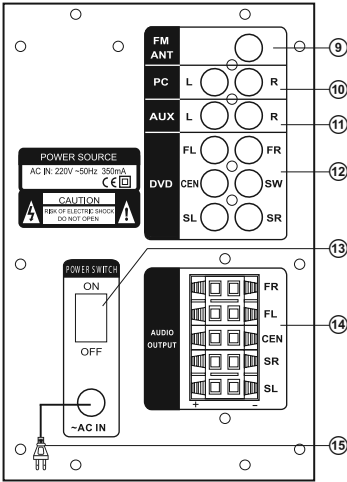


Fig. 3. Subwoofer rear panel

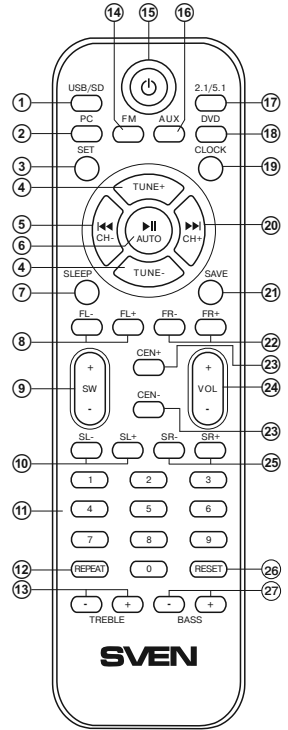


Fig. 4. Remote control

Remote control

- ① USB/SD: MP3 player mode switch-on button (playing MP3 files from USB flash and SD card devices**)
- ② PC: PC input selection button
- ③ SET: time setting (in the ST.BY mode)
- ④ TUNE+/-: manual band scanning buttons (in the Tuner mode)
- ⑤ CH- / ◀◀: previous track (pressed short in the Player mode) previous station* (pressed short in the Tuner mode)
- ⑥ AUTO / ▶▶: start auto scanning and memorizing stations in FM band (in the Tuner mode); play/pause (pressed short in the Player mode)
- ⑦ SLEEP: Sleep mode switch-on time setting
- ⑧ FL-/+: left front channel volume up/down
- ⑨ SW+/-: subwoofer volume up/down
- ⑩ SL-/+: left rear channel volume up/down
- ⑪ 0-9: numeric pad
- ⑫ REPEAT: player operation mode selection
- ⑬ TREBLE+/-: treble level up/down
- ⑭ FM: enter the Tuner mode
- ⑮ ⏻: HTSS on/off button
- ⑯ AUX: AUX input selection button
- ⑰ 2.1/5.1: on/off button of the conversion mode of a stereo signal to 5.1

- ⑮ DVD: DVD input selection button
- ⑯ CLOCK: show current time
- ⑰ CH+/▶▶: next track (pressed short in the Player mode)
next station* (pressed short in the Tuner mode)
- ⑱ SAVE: memorize selected frequency button (in the Tuner mode)
- ⑳ FR-/+: right front channel volume up/down
- ㉑ CEN-/+: center channel volume up/down
- ㉒ VOL+/-: master volume up/down
- ㉓ SR-/+: right rear channel volume up/down
- ㉔ RESET: return to default settings
- ㉕ BASS+/-: bass level up/down

Installing RC batteries

- Open the battery compartment on the back of the remote control.
- Insert the included AAA batteries.
- Close the battery compartment.

Notes:

- **Use the RC at an angle no more than 30° at a distance of no more than 7 meters.**
- **Direct the remote control at the LED display on the subwoofer.**
- **If the remote control is inoperative, check the availability of batteries or change them.**
- **Remove the batteries from the RC if you don't intend to use it for a long time (more than a week).**

5. PREPARATION AND OPERATION

Speaker placement

- To achieve optimum sound, it's recommended that you place the speakers according to Fig. 5. The center and front speakers should be located along an imaginary circle with the distance between the listener and the center channel speaker as a radius, and the listener's head as the center. Each of the three speakers should be placed at equal distance from the listener. The front speakers and the listener make up an equilateral triangle. The rear speakers are placed at the same distance from the listener (on the imaginary circle, too) at an angle of nearly 110° to the Listener – Display axis.
- Avoid placing your speakers in the corners and close to walls, as this can lead to unwanted resonance and distortions. If possible, place them at least 20 cm away from walls.
- For more accurate perception, the tweeters should be at the listener's ear level.
- Do not locate the speakers in niches. Such placement can affect the sound badly, especially in the lows.
- The subwoofer emits non-directional sound, therefore it can be located in any place of the room where it sounds the best.

* The frequencies are switched if there are stations preset in the memory.

** The storage device must be formatted as FAT, FAT32. Memory cards SDHC class 10 or less can be used. Connecting devices other than USB flash drive is not recommended. Connection of HDDs and other devices can cause damage to the HTSS. Command processing time can be increased when using 8 Gb USB drive.

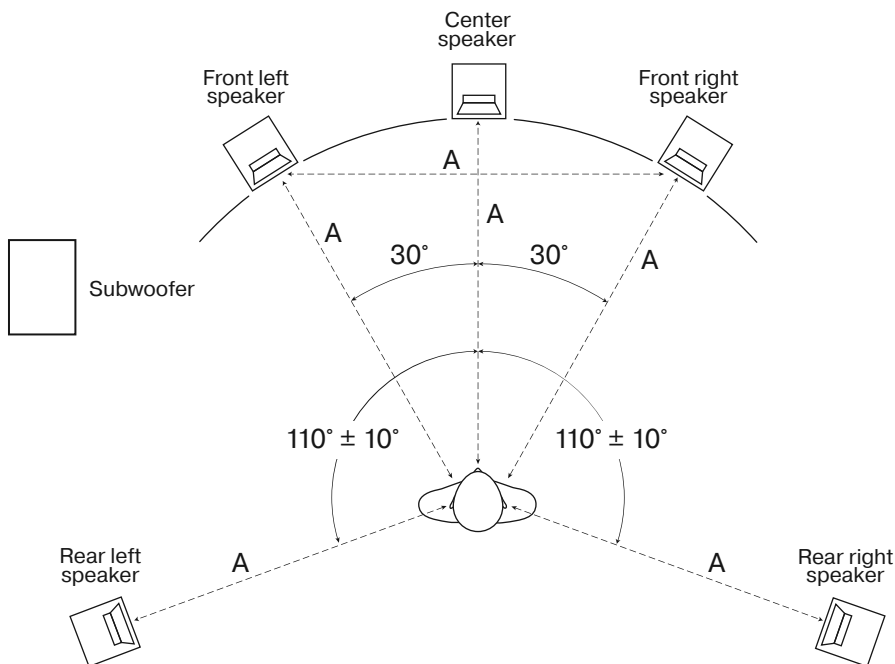


Fig. 5. Speaker placement

Connecting speakers to the subwoofer

- Connect the speakers to the subwoofer AUDIO OUTPUT ⑭ as shown in Fig. 6 using audio cables (included). Mind that the (+) terminals of the speakers should be connected to the (+) terminals of the subwoofer (+ → +), while (-) terminals of the speakers should be connected to the (-) terminals of the subwoofer (- → -).
- Check the correctness of connection polarity and the absence of contact between bared wires and metal parts of the equipment (see connection diagram in Fig. 6).

Installing and connecting the FM antenna

- Insert the included indoor FM antenna into the FM ANT ⑨ jack on the subwoofer rear panel, as shown in Fig. 6. Install the FM antenna in such a way that reception quality is satisfactory, and then fix the position of the antenna.

Note. In buildings with weak FM signal use an outdoor FM antenna.

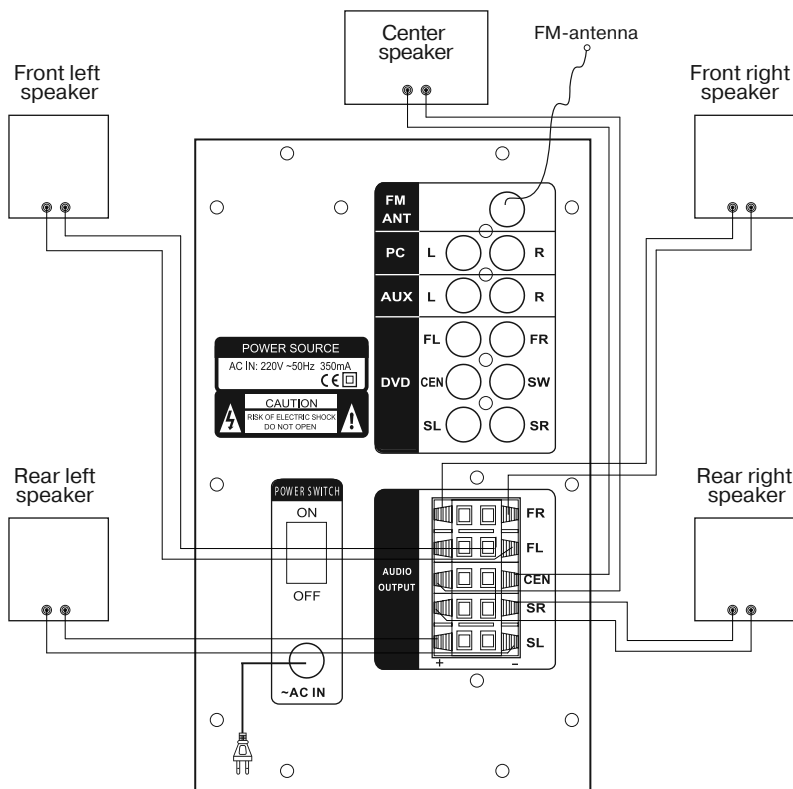


Fig. 6. Speaker connection diagram

Preparations

HT-200 speaker system can be connected to virtually any audio source: DVD/CD/MP3 player, PC sound card, etc. (see connection diagram, Fig. 7).

Caution! Before making any connections, make sure the MSS is off and unplugged.

- To connect the HTSS to PC sound cards, MP3/CD players, use the 2RCA to mini-jack signal cables from the package. Connect the RCA jacks and mini-jacks, as shown in Fig. 7.
- To connect the speakers to a CD/DVD/AUX player or TV use the included 2RCA to 2RCA stereo signal cables (not included) (see Fig. 7).

5.1 Active Home Theater Speaker System

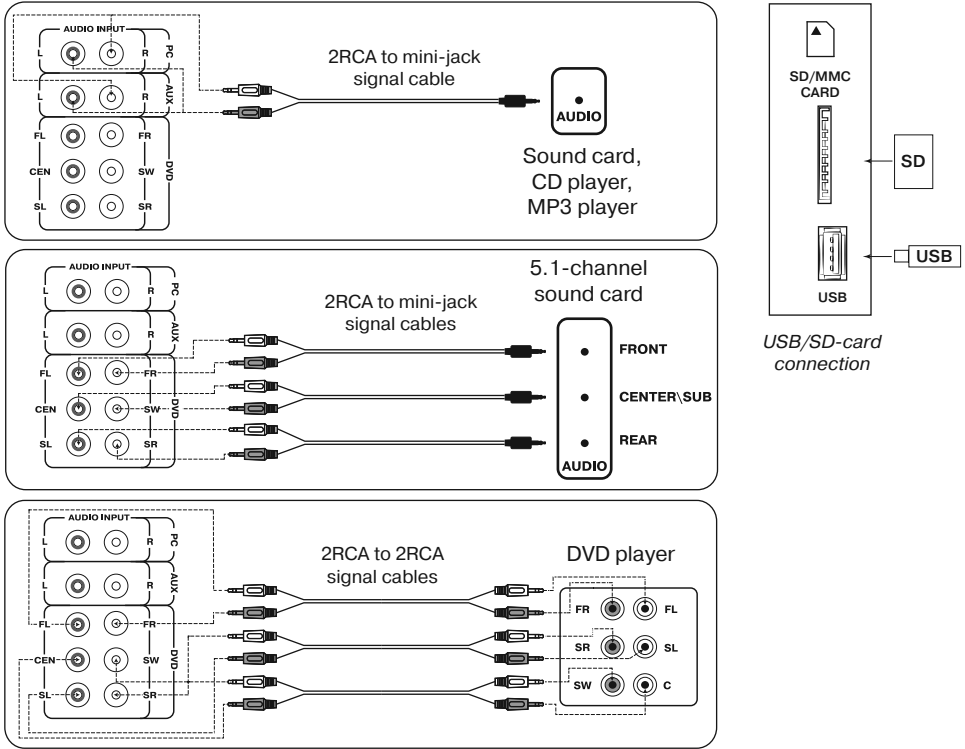


Fig. 7. Connection to audio sources

Switching on

- Connect the power cord ⑫ to the mains outlet.
- Switch on the HTSS power supply with the POWER ON/OFFswitch (⑬, ON position) on the subwoofer rear panel. Press ① button on the RC or ST.BY ⑤ button on the subwoofer control panel, and the LED display (①, Fig. 1) will illuminate. The system is ready for operation.

Selecting audio source

- The HTSS has two stereo audio inputs (AUX, PC) and DVD 5.1-input on the subwoofer rear panel, as well as two ports (SD and USB) on its side panel. The system will automatically enter the Player mode, when one of devices (USB flash or SD/MMC card) is connected to the corresponding jacks ⑦ (Fig. 2). Select the audio source with the INPUT ② button on the control panel or with buttons USB/SD ①, PC ②, FM ⑭, AUX ⑯, 2.1/5.1 ⑰, DVD ⑱ on the RC (Fig. 4). The subwoofer LED display ① will show the corresponding title and the corresponding LED indicators will illuminate.

Notes:

• **If the USB port and SD card ports are used simultaneously, you can select the necessary source by successively pressing the INPUT ② button on the subwoofer front panel or button ① on the RC.**

Master volume control

• Adjust the desired master volume level with buttons VOL- ③ or VOL+ ⑥ on the control panel or use buttons VOL+/- and ⑳ on the RC.

Subwoofer and satellite speaker volume control

• The bass and treble level can be adjusted with BASS +/- ㉗ or TREBLE +/- ⑬ buttons respectively on the RC.

• The front, rear and center speaker volume can be adjusted with FL +/- ⑧, FR +/- ㉘, SL +/- ⑩, SR +/- ㉙ and CEN +/- ㉚ buttons on the RC. The SW +/- ⑨ buttons on the RC are used for adjusting the subwoofer volume control.

Switching off the sound

• Press the button ⑥ on the RC or ST.BY ⑤ button on the subwoofer control panel to switch off the sound. Press these buttons again to switch the sound on.

PC/AUX/DVD Modes

• To select any of PC, AUX or DVD modes use the INPUT ② button on the front panel or PC ②, AUX ⑩ or DVD ⑩ buttons on the RC, when the HTSS is on (Fig. 4). The corresponding title will be displayed on the subwoofer and "PC", "AUX" or "DVD" LED indicators will illuminate.

2.1/5.1 Mode

• For 5.1 mode emulation from 2.1 mode use the 2.1/5.1 ④ button on the front panel or 2.1/5.1 ㉛ button on the RC. The corresponding title will be displayed on the subwoofer and the "2.1/5.1" LED indicator will illuminate.

Player Mode

• To enter the Player mode press the INPUT ② or USB/SD ① button on the RC, when the HTSS is on. The LED display will show the selected mode for a short moment, then the number of the tracks found and the number of the track played, and then the playback time elapsed. The Player mode will start automatically. The playing device symbol will be displayed as well.

• To select a track, you can enter directly its sequence number on the remote control or select it using buttons ⏪ or ⏩ on the front panel or on the RC. The display will show the track number for a short moment, and then the playback time elapsed.

• You can select the playback mode using the REPEAT ㉜ button on the remote control ("ONE" – repeat the playing track; "RND" – play random tracks; "ALL" – play all tracks available).

Tuner Mode

• To switch to the FM mode, use the INPUT ② button on the subwoofer front panel or the FM ⑭ buttons on the remote control. The FM indicator will illuminate on the control panel.

• To auto scan and memorize the found stations, press short the button ⏪ on the front panel or the AUTO ⑥ button on the remote control. To stop auto scanning, press this button again before the scanning is over. The frequency being scanned is displayed on the front panel and when the station is being memorized its assigned sequence number is displayed for a short moment.

• For manual scanning use buttons TUNE- (down the frequency range) and TUNE+ (up the frequency range). To save the selected station, press the SAVE ㉝ button, and then with the buttons ⏪ ⏩ assign the station its number and press the SAVE button again. When the station has been memorized, the "Good" message will be displayed.

- If preset stations are available in the memory, you can switch from one to another by short pressing buttons **◀◀**, **▶▶** on the front panel or buttons **⑤** and **⑳** on the remote control. The station frequency can also be entered with the numeric pad buttons. The radio will tune to the set frequency within 2-3 seconds.

Clock Mode

- When the HTSS is in the ST.BY mode, the display **①** shows the current time. When the system is in a different mode, to see the time use the **CLOCK** **⑱** button on the remote control. The current time will be displayed for 3-5 seconds.
- To set the current time, go to the ST.BY mode by pressing button **⑤** on the front panel or button **⏻** **⑱** on the remote control long. To enter the time setting mode, press the **SET** **③** button on the remote control (the corresponding position will start blinking on the display **①**). Set the minutes and hours directly from the RC numeric pad or using buttons **③** and **⑥** on the front panel or buttons **⑤** and **⑳** on the RC. Press the **SET** **③** button short to switch between setting hours/minutes and to exit the setting mode.

ST-BY Mode

- To enter/exit this mode, press and hold down button **⑤** on the front panel or button **⏻** **⑱** on the RC. When the HTSS is in the ST-BY mode, the display **①** shows the current time.

Audio setting reset

- Press the button **RESET** **㉔** on the remote control to reset audio settings.

Примечания:

- **If the MSS is left unused for a long period of time, mind to switch it off with the POWER switch (⑬, OFF position) and unplug the power cord ⑮ from the mains socket.**
- **To improve the sound quality, use the Line-Out port of your sound card.**

6. TROUBLESHOOTING

Problem	Cause	Solution
The HTSS does not turn on.	The HTSS isn't connected to a mains outlet.	Check the connection.
	The power switch is off.	Turn on the switch.
No sound.	Volume level is set at minimum value.	Adjust the volume control knob.
	Improperly connected audio source.	Connect audio sources correctly.
There is too quiet sound of speakers.	Volume level is set at its minimum value.	Adjust the volume control knob.
Distortion of sound.	Large amplitude of the input signal.	Turn down the source volume and the HTSS volume.
The remote control is not working.	The batteries are discharged.	Replace batteries with new ones.
	There is direct sunlight.	Change the subwoofer or remote control location.
	Obstacle between the remote control and the subwoofer receiver.	Change the subwoofer or remote control location.
The FM tuner is not working.	The FM tuner is not connected.	Connect the FM antenna.
	Poor reception of the antenna.	Connect an outdoor FM antenna.

If none of the above methods can solve the problem, please seek professional advice at your nearest service center. Never attempt to repair the product yourself.

7. TECHNICAL SPECIFICATIONS

Parameter, measurement unit	Value
Output power (RMS), W: subwoofer satellites	80 (20 + 5 × 12) 20 5 × 12
Frequency response, Hz: subwoofer satellites	40 – 125 125 – 22 000
Frequency bands: USW, MHz (50 kHz step)	87.0 – 108.0
Speaker diameters, mm: subwoofer satellites	Ø 133 full-range Ø 80
Power supply, V/Hz	~220/50
Magnetic shielding	yes
Dimensions (W × H × D), mm: subwoofer satellites	140 × 273 × 280 95 × 152 × 95
Weight, kg	6.6

Notes:

- **Technical specifications given in this table are supplemental information and cannot give occasion to claims.**
- **Technical specifications and package contents are subject to change without notice due to the improvement of SVEN production.**

5.1 Active Home Theater Speaker System

SVEN®
YOU WANT – WE CAN



Модель: HT-200

Импортер в России: ООО «СКАНДИТРЕЛ», 111024, РФ, г. Москва, ул. Авиамоторная, д. 65, стр. 1.
Уполномоченная организация в России: ООО «РТ-Ф», 105082, г. Москва, ул. Фридриха Энгельса, д. 75, стр. 5.
Условия гарантийного обслуживания смотрите в гарантийном талоне или на сайте www.sven.fi.
Гарантийный срок: 12 мес. Срок службы: 5 лет.
Производитель: «СВЕН ПТЕ. Лимитед», 176 Джу Чиат Роуд, № 02-02, Сингапур, 427447.
Произведено под контролем «Свен Скандинавия Лимитед», 48310, Финляндия, Котка, Котolahdentie, 15.
Сделано в Китае.

Manufacturer: SVEN PTE. LTD, 176 Joo Chiat Road, № 02-02, Singapore, 427447. Produced under the control of Oy Sven Scandinavia Ltd. 15, Kotolahdentie, Kotka, Finland, 48310. Made in China.

© Registered Trademark of Oy SVEN Scandinavia Ltd. Finland.

HT-200